

ABOUT TIMES-7

Times-7 is a high-tech company specialising in the design and manufacture of RAIN (UHF) RFID antennas, based in Lower Hutt, New Zealand. We export all over the world either direct or through our distributor, authorized reseller and integrated solutions provider network. Our brand is well-established in the global RFID market, and we are known for high quality and reliability, as well as our significant RF expertise.

Founded in 2006, Times-7 has developed the largest portfolio of fixed RAIN RFID reader antennas. As well as standard antennas for all applications, Times-7 also offers a custom antenna development service, when the requirements are not fully satisfied by our catalogue antennas.

Times-7 Research Ltd
29 Railway Avenue
Lower Hutt 5010
New Zealand

NEW ZEALAND
P: +64 4 974 6566

USA/CANADA
P: +1 408 769 5025

E: sales@times-7.com

www.times-7.com



The SlimLine™ A5020 NearField antenna

True NearField:
Up to 10 cm / 4" read range

Ideal for tap or touch applications

IP68 rating

One SKU for flush and VESA
mount

150 mm / 5.9 in. square footprint

The A5020 NearField antenna impresses with an extremely close read range of up to 10 cm / 4" from the antenna's surface suitable for tap or touch applications.

Its pleasing aesthetics and timeless design blends beautifully with most interiors and allows both flush and VESA mounting.

With an IP68 rated all-plastic housing enclosure and built to Times-7's high standard for quality and robustness, the A5020 NearField antenna thrives in any environment.

Ordering Information

Ordering Information (please quote product code, band / cable type & part no.)

*Antenna Product Code	Band	Part No.
A5020 Near Field Antenna	Wideband (865-928 MHz)	72057
Cable Accessories Product Code	Cable Type	Part No.
Cable 2 m, SMA to RPTNC	T7 195 / 240 / 400	71436 / 71782 / 72042
Cable 4 m, SMA to RPTNC	T7 240 / 400	71784 / 72043
Cable 6 m, SMA to RPTNC	T7 240 / 400	71904 / 72044
Cable 8 m, SMA to RPTNC	T7 240 / 400	71788 / 72045

*ROHS & CE compliant.

View the Times-7 Cable Accessory datasheet [here](#)

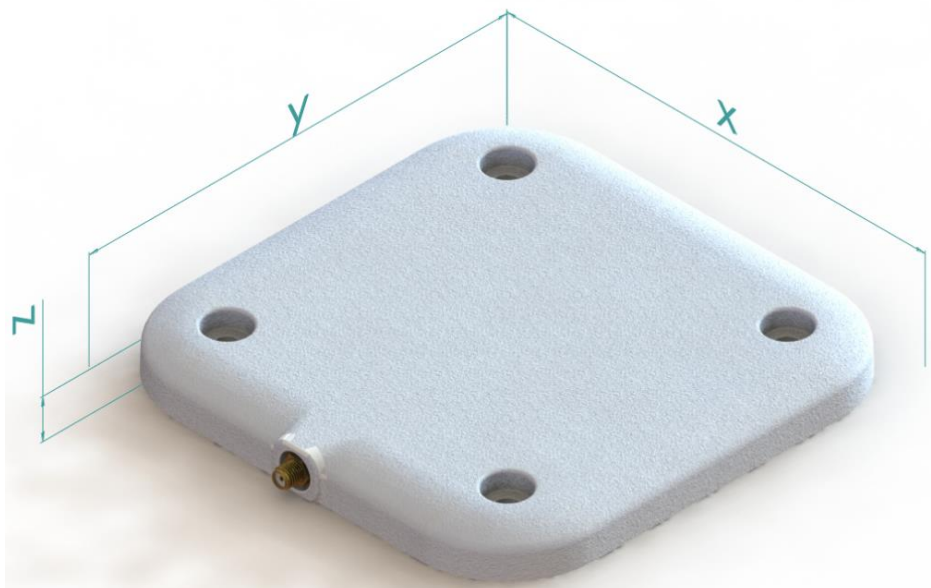
Specifications

Dimensions unboxed: Length (x) x Width (y) x Depth (z)	150.7 mm x 149.4 mm x 14.5 mm 5.93 " x 5.88 " x 0.57 "
Boxed unit dimensions: (L x W x D)	180 mm x 150 mm x 25 mm 7.1" x 5.9" x 1"
Weight:	Net: 0.18 kg / 0.38 lbs, Gross: 0.23kg / 0.5 lbs
Radome Material:	UV-Resistant ABS
Environmental Rating:	IP68
Operating / Storage Temperature:	-40° to +65°C -40° to +149°F
Mounting:	Flush or VESA mount (mounting info on page 3)
Connector type / position:	SMA female side connector
A5020 Flush Screws	30mm 8g Phillips

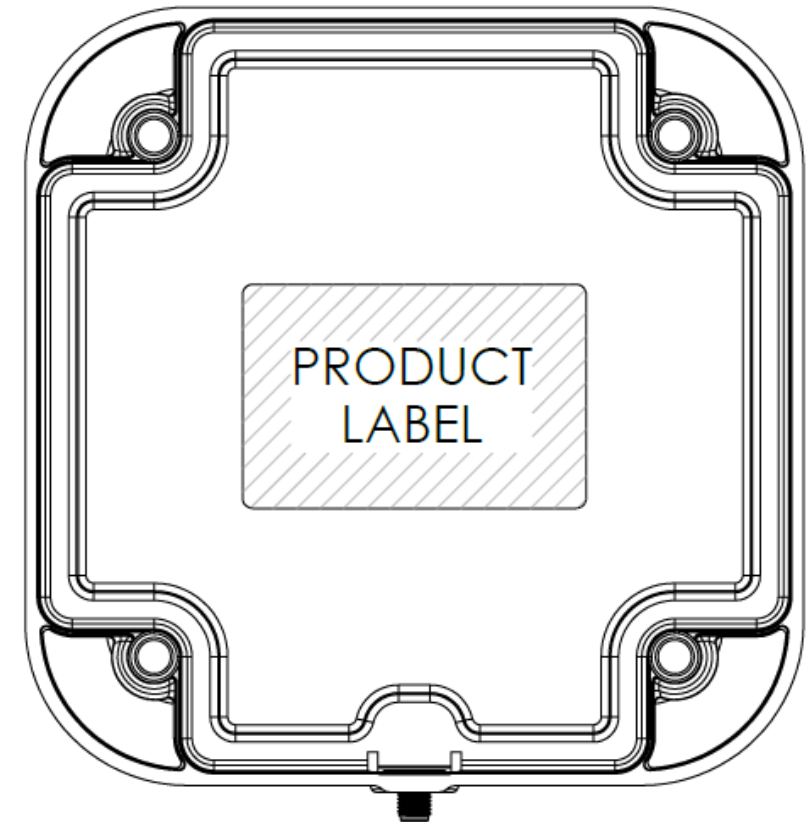
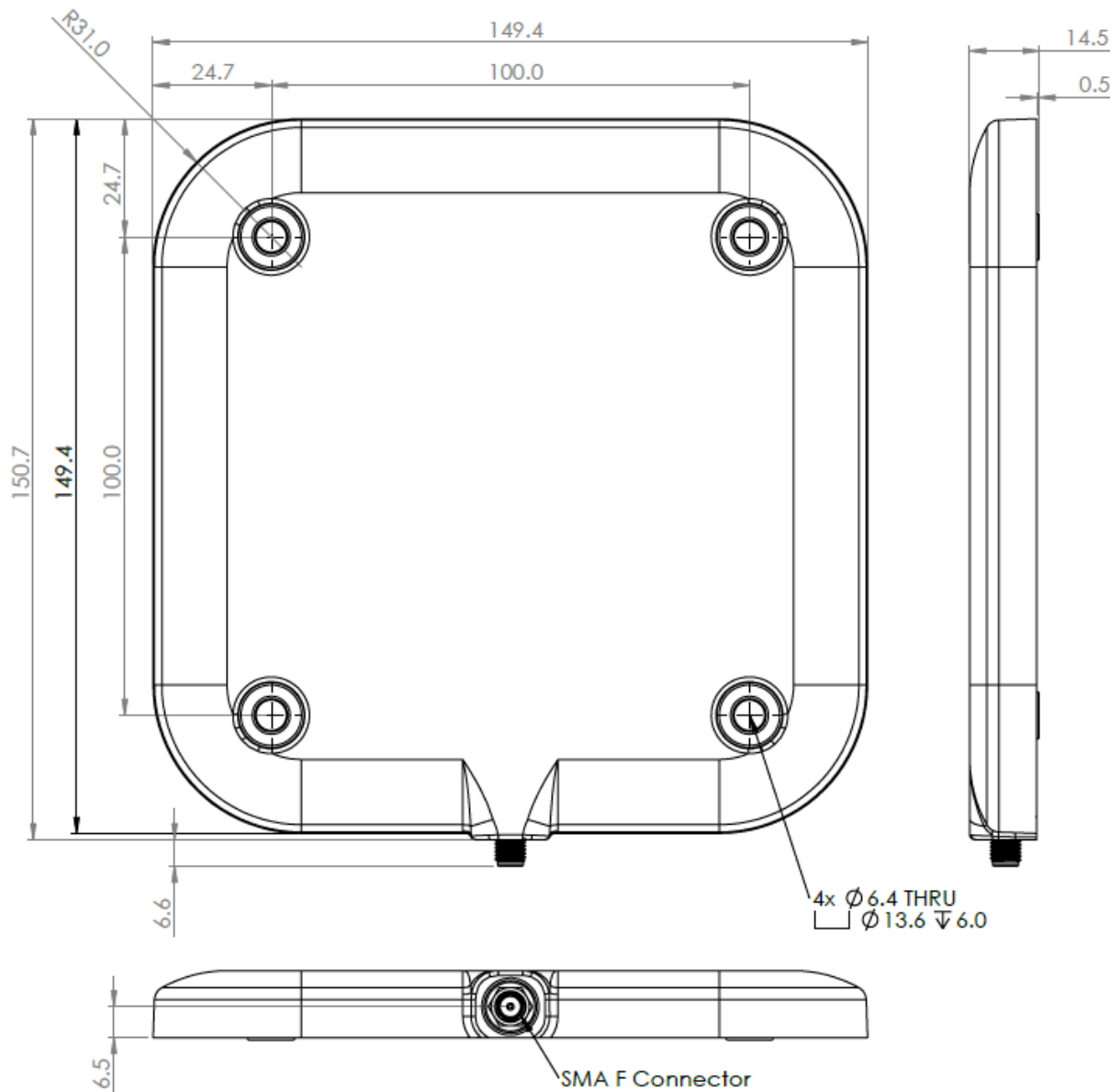
Electrical Specifications

Frequency Range:	865-928 MHz
VSWR:	< 1.4 typical
Nominal Impedance:	50 Ω
Anti-static protection:	Yes, DC Grounded
Antenna Detection	10 K Ω resistance
Maximum Input Power:	3 W

Antenna Planes



Mechanical Drawing for the A5020 NF



Part No.	Description
60010	A5020 Far Field Antenna - FCC
60011	A5020 Far Field Antenna - ETSI
72057	A5020 Near Field Antenna - Wideband

<small>THE INFORMATION CONTAINED IN THIS DRAWING IS THE SOLE PROPERTY OF TIMES-7 LTD. ANY REPRODUCTION IN PART OR AS A WHOLE WITHOUT THE WRITTEN PERMISSION OF TIMES-7 IS PROHIBITED.</small>	<small>DIMENSIONS ARE IN mm</small> <small>UNLESS OTHERWISE SPECIFIED TOLERANCES:</small> <small>NO DECIMAL PLACES \pm 1</small> <small>ONE PLACE DECIMAL \pm 0.5</small>		<small>DESCRIPTION</small> A5020 Far Field and A5020 Near Field Antenna						
	<small>DRAWN</small> C Wilson	<small>SIGNATURE</small> 	<small>DATE</small> 31/07/19	<table border="1"> <tr> <td><small>SIZE</small></td> <td><small>PART NO.</small></td> <td><small>REV</small></td> </tr> <tr> <td>A3</td> <td>See part number table</td> <td>C</td> </tr> </table>	<small>SIZE</small>	<small>PART NO.</small>	<small>REV</small>	A3	See part number table
<small>SIZE</small>	<small>PART NO.</small>	<small>REV</small>							
A3	See part number table	C							
<small>APPROVED</small> R Lopez	<small>SIGNATURE</small> 	<small>DATE</small> 31/07/19	DO NOT SCALE DRAWING SHEET 1 OF 1						

Mounting Information

The A5020 is designed to support either flush or VESA mount. The flush mounting holes are VESA spaced and can accommodate M6 and ¼" type bolts and M4 screws.



The mounting holes of the A5020 support VESA spaced mounting brackets as shown in the picture. For more information on the Mounting Bracket in the picture, please click [here](#).

Installation Instructions

- Ensure that only finger tightness is used for the SMA connector. Use of tools to tighten the connector will apply excessive force and will damage the connector.
- Avoid any load or bending force from the cable on the connector.

Applications

- Tap and go Indoor/Outdoor
- Industrial environments
- Food processing
- Healthcare

GLOBAL SUPPORT

In addition to our world-class products and in-depth expertise, Times-7 is known for their quality of customer service and technical support. We place emphasis on our responsiveness in supporting a large global customer base and ensuring the success of our customer's implementations.

Times-7 Research Ltd
29 Railway Avenue
Lower Hutt 5010
New Zealand

NEW ZEALAND
P: +64 4 974 6566

USA/CANADA
P: +1 408 769 5025

E: sales@times-7.com

www.times-7.com



The technical data contained in this publication is not a guarantee for which Times-7 Research Ltd assumes legal accountability. It is indicative of typical performance, and if required should be relied on for specific applications only after due verification.

All technical data, specifications and other information contained herein are deemed to be the proprietary intellectual property of Times-7 Research Ltd. No reproduction, copy or use thereof may be made without the express written consent of Times-7 Research Ltd.

Times-7, and the stylized T-7 Antennas logo are trademarks or registered trademarks of Times-7 Research Ltd. All other trademarks are the property of their respective owners.

© 2020 Times-7 Research Ltd. All rights reserved. Specifications are subject to change without notice.

Datasheet v2.0